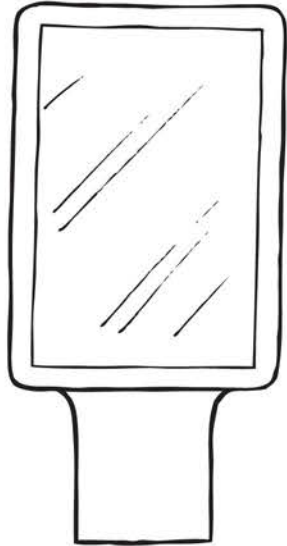
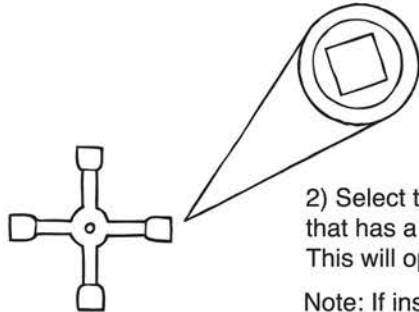


A guide to interacting with bus stop advertisement spaces:



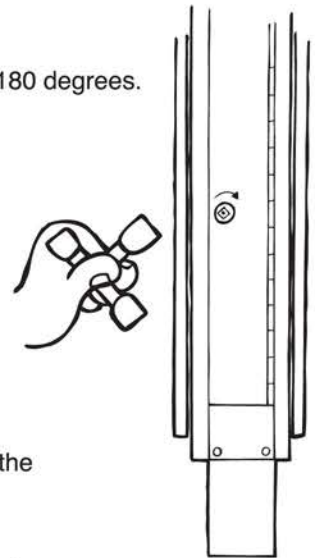
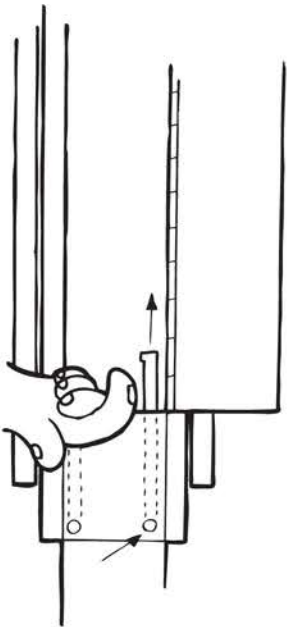
1) Choose a suitable bus stop location. The main bus stop advert company is JCDecaux, there are hundreds of sites to choose from.
The keys in this kit will open all bus stop advertisement spaces.



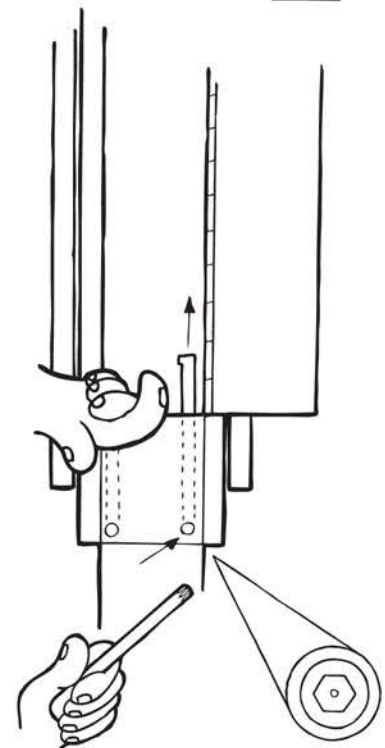
2) Select the 4 way utility key from the kit and locate the attachment that has a large square key shape.
This will open the side panel on the advertisement

Note: If installing at night time, turn the power breakers off inside the panel, just flick the switch down and you will feel less exposure due to the light!

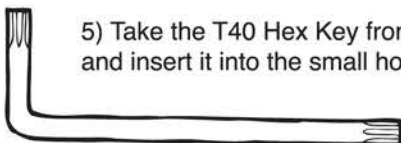
3) Insert the square key into the lock and turn clockwise 180 degrees.
Don't worry if it doesn't open, they can be stiff.
Keep calm and keep trying.

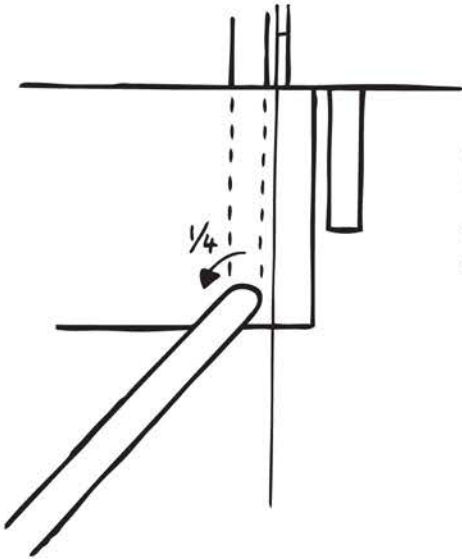


4) Once the side panel is open, insert one finger into the bottom of the casing and slide the metal cover up to reveal the next key hole



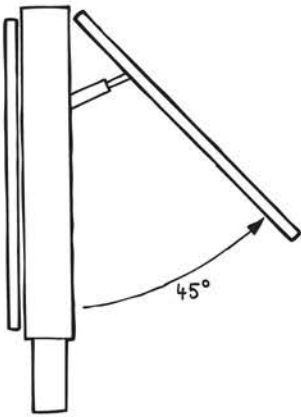
5) Take the T40 Hex Key from the kit (the fancy alan key) and insert it into the small hole whilst keeping the metal cover held up...





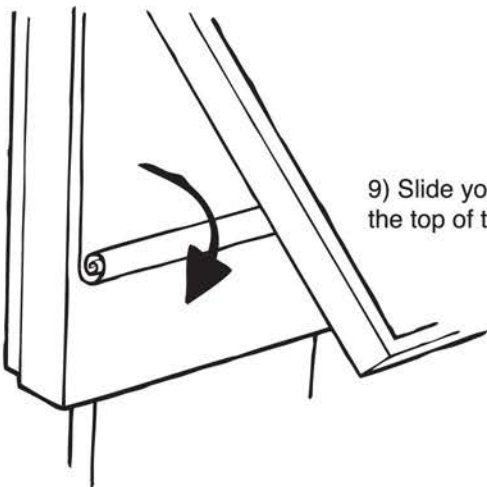
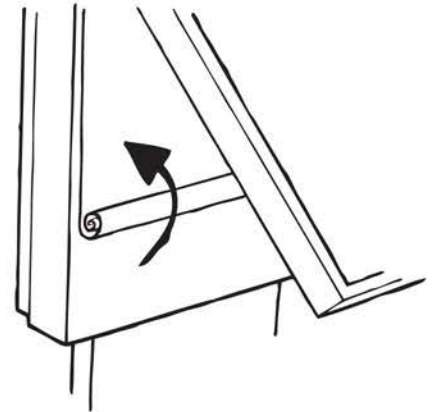
6) Once the key is located in the lock, turn anti-clockwise 90 degrees to release the catches that keep the perspex screen closed...

NOTE: Some bus stops are old and the locks are worn down, don't worry if you can't open it, try another one.



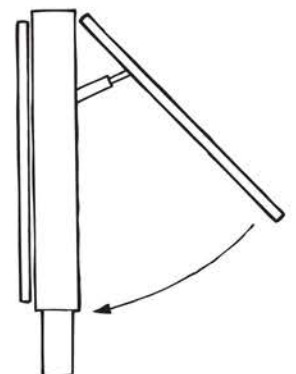
7) NOTE: the perspex cover has two pistons that open up when you release the catches, make sure you keep hold of the bottom of the screen and let it rise slowly...

8) Role up the poster that is inside from the bottom and take it for another installation...



9) Slide your poster into the top of the panel, push it into the clip that runs across the top of the perspex. Roll the poster down slowly (take care if it is windy!).

10) Put two hands on the bottom edge of the casing and push back to the frame to re-engage the catches and close the door.



11) Walk away, take your time and enjoy the experience.